

Features and Benefits

- Up to 37,000 BTUs for comforting heat from 400sf to up to 1800sf.
- Burn time up to 7 to 9 hours.
- Log Length up to: 22" diagonally, 20" width-wise, 18" length-wise.
- 2.1 cubic foot firebox.
- 1/4" steel construction is nearly indestructible, and the components are exceedingly reliable and durable.
- Easy to install, operate, clean, and maintain.
- Designed to concentrate the heat to the front of the stove for maximum temperature and to help keep the glass clean.
- Large Glass and Heavy Duty cast iron door.
- Engineered for a long, very efficient and environmentally clean burn.
- Front top can be used as a steamer or a cooking area.
- Approved for mobile homes in the U.S.
- Meets or exceeds all safety regulations.
- Non-Catalytic combustion system.
- Limited Lifetime Warranty.
- Crafting stoves in the USA for 30 years.



INSERT AND FREESTANDING MODELS

We have been crafting and manufacturing wood stoves in the U.S. for over 30 years. You can trust that the Washington™ will keep your family warm and toasty with this powerful, attractive, efficient, and clean burning stove. Enjoy the panoramic view of dancing flames through the large stay-clean glass door. The stove is also designed to be easy to Install, Operate, Clean, and Maintain.

**Qualifies for the 2010 30%
IRS Tax Credit up to \$1,500**
(details at goldeneaglestoves.com)



Made in America

goldeneaglestoves.com



Golden Eagle[®]
Stoves

The Washington™ Wood Stove

GE850 & GE800
Insert & Freestanding

Golden Eagle Stoves have proudly been manufactured in the United States since 1979. We are dedicated to providing you with high quality performance stoves that are a great value.

“THE MOST BTUs FOR THE BUCK”

Specs and Dimensions

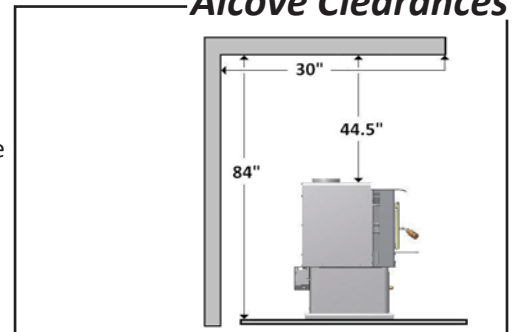
Flue Outlet	6"
Shipping Weight	430 lbs.
Burning Time	Up to 7-9 hrs.
Max BTU Input	37,000
Max sq. ft. range	400-1800
EPA status	Certified
Log Length	22" diagonally, 20" width-wise, 18" length-wise.
Approved Installation	Alcove, Conventional, Mobile Home (US)
Firebox Size	2.1 Cubic Ft.
Width	26"
Depth	21.75"
Height	29.5"

VENTING

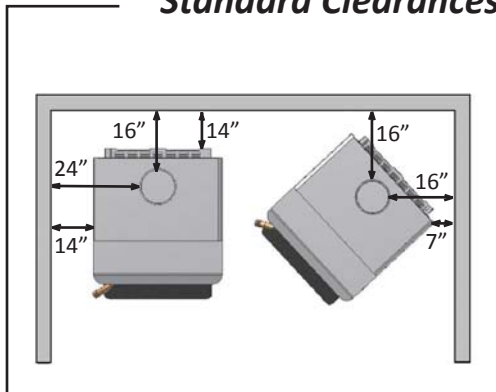
Proper venting of your stove is very important for good clean burns with high efficiency. In addition, venting can have a direct impact upon the safety of your stove. The Washington Wood Stove is approved for use with double wall connector and the same manufacturers' chimney system as follows:

- Simpson Dura-Vent Model DVL
- Selkirk Metalbestos DS
- Security Chimneys Model DL

Alcove Clearances



Standard Clearances



Note: Clearances shown are for single wall pipe.

NOTE: For complete clearance & installation requirements read the owner's manual. Free download at www.goldeneaglestoves.com



Made in America



NCSG
MEMBER



Pellet
Fuels
Institute



goldeneaglestoves.com

Important notes: As with any heating appliance, fireplace, or stove, these stoves are extremely hot during operation. To avoid personal injury or property damage, the stove must be installed, operated and maintained in strict compliance with the instructions packaged with the stove. Read and understand all operating instructions before using them. For further information, consult your dealer. Contact local building or fire officials about restrictions and installation requirements. Local conditions, such as elevation, wind, vent configuration, and choice of fuel will affect heating performance, capacity, and the overall appearance of the fire. Performance can also vary with home design and insulation; climate; condition and type of fuel used; pellet size, length, and diameter; stove location; burn rate; accessories chosen; chimney installation and how the stove is operated and maintained. As we are always improving our products, specifications are subject to change. Product designs, materials, dimensions, specifications, colors, and prices are subject to change or discontinuance without notice. Diagrams, illustrations and photographs may not be exactly to scale- consult installation instructions. This stove been tested and listed by OMNI Test Laboratories, INC., Portland Oregon, to the following standards: UL1482 Solid Fuel Type Room Heaters, 1996.